

Architectural Manual

TUSCANY[®]
Series

MONTECITO[®]
Series

Premium Vinyl Windows & Patio Doors



Clearly the best.®



Instructions on how to use this manual:

This document has been designed for easy navigation and to quickly click to the section you need. Here's some important tips on using this document:

- Any item print in **red**, will click through to the corresponding item.
- Click to any item in the Table of Contents on **page 3**. Click on the Milgard logo at the top of any page to return to the Table of Contents - FULL MANUAL ONLY.
- From each section's Quick Links page, click to any Drawing listed.
- From any Drawing page, click the "Go Back to Quick Links" box on the bottom right of the page to return to the list of drawings.
- Click on the links on the bottom of the page to go to Revit, SketchUp . PDF and .DWG files. Please note that you must have internet access for these links and you will be re-directed to the Milgard site.
- This document can also be navigated from Adobe Acrobat Bookmarks.

Revit, SketchUp, .PDF and .DWG files can be accessed
at milgard.com/professionals or clicking here:

[Tuscany Series Architectural Library](#)

[Montecito Series Architectural Library](#)

Contents

Differences between Tuscany and Montecito Series _ 4

New Construction vs. Retrofit	4
Screens	4
Awning and Casement Hardware	4
Glass Breakage Coverage	4

Components _____ 4

Available Operating Styles	4
Frame	4
Frame Differences	5
Block Frame	5
Z-Bar (Standard and Wide)	5
Fin Setbacks	5
Weep System	5
Glazing Material	6
Vent Panel	6
Weatherstripping	6
Roller Assembly	6
Locking Assembly	6
Screen	6

Options _____ 7

Grids	7
-------	---

Window Hardware _____ 8

SmartTouch® Lock	8
Tuscany Awning/Casement Handle	8
Montecito Awning/Casement Handles	8

Door Hardware _____ 9

SmartTouch® Interior Door Handle	9
Decorative Interior Handle	9
Swing Door Handle	9

Premium Exterior Vinyl Finishes _____ 10

Full Lifetime Warranty _____ 11

Awning Window _____ 12

Configurations	13
Minimum/Maximum Sizes	13
Available Frame Styles	13
Drawings - Quick Links	14
Awning Window	15
Fixed Awning Window	24

Casement Window _____ 32

Configurations	33
Minimum/Maximum Sizes	33
Available Frame Styles	33
Drawings - Quick Links	34
Casement Window	35
Fixed Casement Window	48

Horizontal Sliding and Double Horizontal Sliding Window _____ 57

HZ Configurations	58
HZ Minimum/Maximum Sizes	58
HZ Available Frame Styles	58
DHZ Configurations	59
DHZ Minimum/Maximum Sizes	59
DHZ Available Frame Styles	59

Drawings - Quick Links	60
Horizontal Sliding Window	61
Double Horizontal Sliding Window	73

Picture and Radius Window _____ 80

Configurations	81
Minimum/Maximum Sizes	81
Available Frame Styles	81
Drawings - Quick Links	82
Picture Window	83
Radius Window	92

Single Hung and Double Hung Window _____ 101

SH Configurations	102
SH Minimum/Maximum Sizes	102
SH Available Frame Styles	102
DH Configurations	103
DH Minimum/Maximum Sizes	103
DH Available Frame Styles	103
Drawings - Quick Links	104
Single Hung Window	105
Double Hung Window	117

Bay & Bow Window _____ 123

Configurations	124
Minimum/Maximum Sizes	124
Available Frame Styles	124
Drawings - Quick Links	125
Bay Window Drawings	126
Bow Window Drawings	130

Cable Bay Window _____ 134

Configurations	135
Minimum/Maximum Sizes	135
Available Frame Styles	135
Cable	135
Seat Boards	135
Drawings - Quick Links	136
Support System Installation Guide	137
Cable Bay Window Drawings	139

Sliding Patio Doors _____ 167

Configurations	168
Minimum/Maximum Sizes	168
Available Frame Styles	168
Drawings - Quick Links	169
Sliding Patio Door	170
French Sliding Patio Door	183

Swing Patio Doors _____ 195

Configurations	196
Minimum/Maximum Sizes	196
Available Frame Styles	196
Drawings - Quick Links	197
French In-Swing Patio Door	198
French Out-Swing Patio Door	201

About Tuscany® & Montecito® Series

Differences between Tuscany and Montecito Series

Tuscany and Montecito Series windows and doors are aesthetically the same but there are some important differences:

New Construction vs. Retrofit

Tuscany Series can be used for new construction or retrofit applications as it offers block frame and Z-bar frames in addition to nail fins.

Montecito Series is only available with nail fins and used for new construction exclusively (see page 5).

Screens

PureView® premium mesh screens with a pull rail frame are available on Tuscany Series only. Montecito Series come with standard screens.

Awning and Casement Hardware

Tuscany Series awning and casement windows come with folding nesting hardware while Montecito Series comes with standard hardware (see page 8).

Warranty

Both products come standard with the Full Lifetime Warranty, and only Tuscany Series comes with Glass Breakage Coverage.

Components

Available Operating Styles

Find frame styles for each operating style:

Awning

Fixed Awning

Casement

Fixed Casement

Horizontal Sliding (Half Vent)

Double Horizontal Sliding

Single Hung

Double Hung

Picture/Radius

Bay/Bow

Cable Bay

Sliding Patio Door

Swing Patio Door

Not all operating styles available at all Milgard locations.

Contact your sales representative for more information.

Frame

Tuscany Series and Montecito Series frame components are made of a high performance uPVC, rigid polyvinyl chloride material, custom compounded for superior impact resistance, color retention and weather resistance. The frame and sash corners are all precision mitered and fusion welded for a lifetime of air and water resistance.

The Tuscany Series and Montecito Series meets or exceeds the AAMA/WDMA/CSA 101/I.S.2/A 440-05 Industry Specification for Windows and Doors. They are also tested for Forced Entry Resistance to the ASTM F588-97 standard, Grade 20 level. Each window is labeled with the NFRC Energy Star performance information, based on the type of glazing you select.

Frame Differences

Tuscany and Montecito have the same aesthetic design but there are differences in the frame and the applications they are used. Montecito Series is primarily used in new construction applications and comes with various nail fins. Tuscany Series can also be used in new construction with the same nail fin options, but is also available in retrofit applications such as block frame and Z-bar.

Here are the details on each:

Block Frame

(Tuscany only)

The block frame style is a window frame profile without a nail fin. The block frame allows an installer to insert the replacement window into the existing frame, without disturbing the home's internal or external wall surfaces. Installation method includes carefully drilling through the jamb.

Z-Bar (Standard and Wide)

(Tuscany only)

Two extruded Z-bar frame choices are available with Tuscany series, standard (1-5/8") and wide (2-1/8"). Z-bar installation, the method of removing the aluminum or steel sash but leaving the frame in place, is ideal with aluminum retrofit in stucco applications and can save a significant amount on installation costs.

Nail-On Fin

(Tuscany and Montecito)

1-1/4" or 2" fin widths available.

A pre-punched nail flange extends around the perimeter frame, securing the window in rough openings and acting as a part of the flashing system.

Fin Setbacks

(Tuscany and Montecito)

- 1-3/8" nail fin setback (1-1/4" or 2" pre-punched nail flange)
- 1" nail fin setback with stucco key (1-1/4" pre-punched nail flange)

The 2" pre-punched nail flange frame also has an exterior accessory groove which allows for optional J-channel trim:

- 2" Brickmold
- 1" Contour
- 3/4" Flat

The 2" brickmold is applied in the field on the window, and snapped in-place after window installation. The 1" contour and 3/4" flat J-channel options are welded in place at the factory.

All trim options are extruded by Milgard and are available in white and tan.

Weep System

Hollow sill construction and offset weep baffles release any accumulated moisture from the sill pockets and help prevent blow back, and helps control the water flow caused by a combination of wind and rain.

Glazing Material

AAMA-approved glazing tape adheres glass to the fixed and vent panel frames which seals and cushions the glass. Rigid vinyl setting blocks are used to support the unit above the sill, preventing glass shear (glass in the insulated unit becomes offset). Extruded vinyl glazing (snap-in) bead is applied around the interior edge.

“Interior glazing” makes replacement of glazing unit convenient; bead is mitered at 45 degree for a finished look. Insulating dual glazed panes has a 7/8” overall glass thickness, are dual seal equivalent, sealed for optimal energy efficiency. All Tuscany windows currently meet or exceed ENERGY STAR® performance in all climate zones with a 0.35 u-factor or lower. Specialty glass options are available upon request which can help achieve as much as a 26% improvement in u-factor. Specialty glass options for privacy, noise abatement and aesthetics are available upon request.

Vent Panel

The vent panel has an “L” shaped lip that fully interlocks with the vertical meeting rail, adding security and preventing air and water penetration. Its roller assembly rides on a monorail reversible track for easy operation and durability. This raised track in the frame sill helps keep the vent panel free from interference by foreign particles that may collect in the sill.

The Tuscany Series has been designed with equal sight lines resulting in the same size glazing unit for both the fixed and vent panels. This is not only visually appealing but offers simplified field maintenance and can often result in common-sized window screens for window systems of more than two units.

Weatherstripping

Silicone-treated water-repellent polypropylene fin seal weatherstripping provides a durable, weather tight seal. Two continuous rows of weatherstripping around the vent panel provide a superior weather-tight seal. The first row is a flexible TPE leaf seal that acts as the primary water barrier. The second row is a compression style, TPV wrapped closed-cell foam, bulb seal that provides exceptional protection against air infiltration.

Roller Assembly

Self-lubricating, wear resistant, dual nylon rollers with stainless steel axles provide flexible, free-wheeling, smooth and silent operation. The adjustable rollers are engineered for reduction of friction and torque on operable vent frames.

Locking Assembly

Milgard’s exclusive patented SmartTouch® direct action lock mechanism provides security and finger-tip operation. The lock engages when the window is closed. The lock offers a visual indicator that when the window is closed, it is also locked. The SmartTouch® lock is unlike most locking mechanisms available today as it requires no squeezing or twisting to operate, making it ideal in universal design.

Screen

Milgard’s exclusive PureView® screen frames are cambered aluminum, assembled with rigid nylon corner clips. Rolled pull rail provides simple installation and removal. Screens come standard with matching frame color. PureView’s innovative screen uses smaller diameter yarn, improving the interior view. The finer mesh also reduces the

appearance of a screen, enhancing curb appeal. PureView's fiberglass charcoal screen mesh is strong, durable and easy to replace. All screens are under one year warranty. PureView screen with pull rail are available only on Tuscany Series.

Energy Packages

Milgard offers two energy efficiency upgrade packages that provide increased U-Value performance. 3D® and 3D MAX® use the ENERGY STAR® criteria from each climate zone and utilize materials that are tailored to each individual climate to increase energy efficiency. The combination of the frame material, product design and glazing unit make up the three components of the energy packages. The Tuscany Series receives up to 23% increase in energy efficiency with the 3D MAX package.

Note:

- Packages available in most markets. Please see your local sales representative for details.
- 3D® and 3D MAX® energy packages are based on insulated glass units with Single Strength (3/32") and Double Strength (1/8") glass. Some glass thicknesses and internal grid combinations may result in lower energy performance.
- 3D® and 3D MAX® energy packages are not included with the 8125 Double Slider, 5621WS Wide Stile Sliding Door, 8225 Double Hung when selecting grids and are currently not available in breather tube applications.

To check the energy performance of all Milgard windows and doors, use our Energy Calculator at:

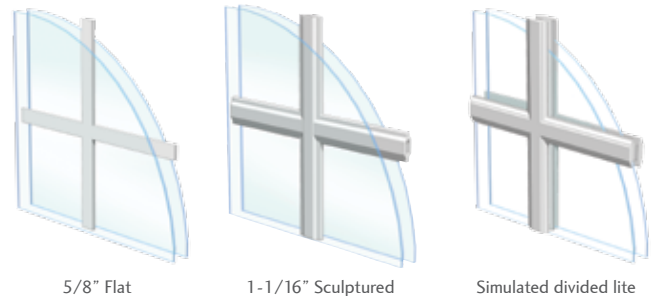
milgard.com/energy-calculator

Options

Grids

Available in 5/8" flat or 1-1/16" sculptured aluminum profiles. Simulated divided lite (SDL) grids are also available in some locations, using 5/8" grids between the glass panes for three dimensional shadowing as well as 7/8" contoured vinyl grid applied to the interior and exterior glass panes.

All grids are color matched to frame in white or tan.



Full Lifetime Warranty and Glass Breakage Coverage

Full Lifetime Warranty is available on both Tuscany and Montecito Series with Glass Breakage Coverage available on Tuscany only. For complete warranty details visit milgard.com.

Caution: The use of petroleum based fuels or solvents as release agents in stucco wall installations or glass cleaning will chemically attack materials used in seals and other components, and voids the Milgard Warranty. The use of wax-based release agents is recommended.

Expanding foam for insulation purposes should not be used. Backer rod or loose packed fiberglass bat insulation is recommended.

Window Hardware

SmartTouch® Lock

Horizontal Slider - Single Hung - Double Hung

It's the easiest, smartest way to lock and unlock a window or door, and also assures you that when your window is closed, it's locked.

Responding to consumer needs for products that are easy to operate and maintain, Milgard developed the innovative SmartTouch window lock and door handle. The SmartTouch window lock won a prestigious IDEA award (International Design Excellence) from the Industrial Designers Society of America in 2008. The SmartTouch door handle won the same IDEA award in 2012.

Milgard was also awarded the Arthritis Foundation Ease-of-Use Commendation in recognition of the SmartTouch lock and handle's innovation and universal design. The SmartTouch locks and door handles are perfect when your project focuses on aging-in-place.



Tuscany Awning/Casement Handle

Folding, nesting operator handle



Montecito Awning/Casement Handles

Operator handle (standard)



Folding operator handle (upgrade)

Door Hardware



SmartTouch® Interior Door Handle

Milgard's patent-pending SmartTouch® door handle is so easy to operate, it received an Arthritis Foundation Ease-of-Use Commendation. The lock and handle also increase security with a tough locking mechanism that exceeds all California forced-entry requirements.



White



Tan

Decorative Interior Handle



Brushed
Chrome

Brushed
Nickel

Oil-Rubbed
Bronze



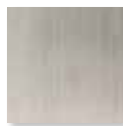
Swing Door Handle

Interior Finishes:

White	Brushed Nickel
Tan	Brushed Chrome
	Oil Rubbed Bronze

Exterior Finishes:

White	Brushed Chrome
Tan	Oil Rubbed Bronze
Black	



Brushed
Chrome



Brushed
Nickel

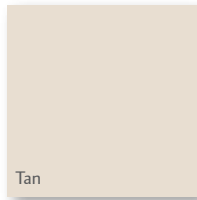
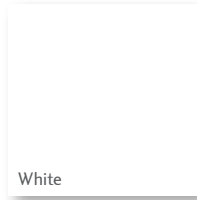


Oil Rubbed
Bronze

Premium Exterior Vinyl Finishes

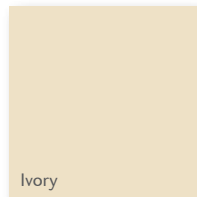
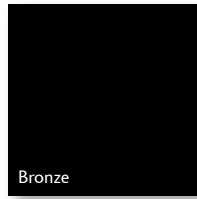
Standard

Matching interior



Premium

White interior only

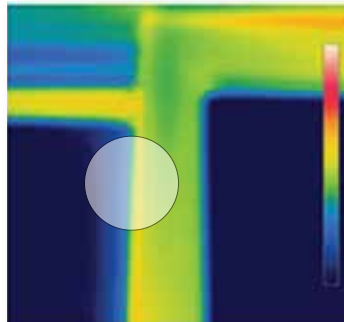


Color you can trust from a company you can trust

Milgard conducted thousands of hours of testing on our Premium Exterior Vinyl Finishes. The finishes were exposed to extreme conditions, from frigid cold to extreme heat and humidity. The resulting data was impressive. These new finishes are so durable they live up to our stringent quality standards.

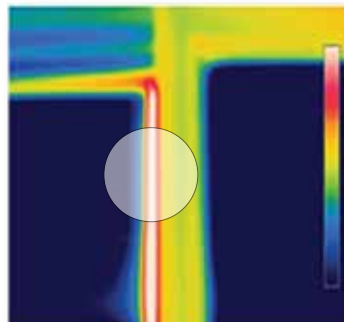
Proven performance in the toughest of climates.

IR photography shows that Milgard windows stay cooler, even when on a rooftop in the desert heat of Phoenix, Arizona.



Milgard Chocolate: 121.4° F

hottest point of window frame



Competitor Brown: 133.4° F

hottest point of window frame

Full Lifetime Warranty

At Milgard, we build our windows and doors to last. With the dedication to quality that we put into building the best windows in the business, it wouldn't make sense to back them with anything but the best warranty in the business. That's why we back every properly installed window and door for as long as the homeowner owns their home—including parts and labor. Tuscany Series windows and doors also come standard with Glass Breakage Coverage. We're one of the only manufacturers to offer a full lifetime warranty (10-year commercial) on a premium vinyl finish in any market. It's why you can be sure you won't find any windows better than Milgard.

For complete warranty details, visit milgard.com.



Why Milgard?

Milgard is one of the largest and most trusted names in windows and doors. For the last 50 years, we've demonstrated our commitment to innovation, quality and service.

While our coverage is extensive, our service is local. Milgard has multiple locations throughout the Western U.S. and Western Canada. Our belief is that by being close to our customers, we can provide them better service. This means faster lead and delivery time, as well as faster response to any warranty situations. We're there for you long after the job has been completed. Milgard also has a comprehensive network of qualified dealers and offers some of the best training in the industry.

Awards give you added assurances and Milgard has been named "Best Quality in the Nation" eight times and the nation's "Most Used Vinyl Window" four times by Builder magazine. Both Professional Remodeler and Professional Builder magazines have named us "Most Preferred Vinyl Window" three times.

Awning Window



An awning window is a vent that is hinged on the top and swings outward from the bottom. Awning windows can be used alone or in tandem with other series windows for virtually any design specification.

The Tuscany Series and Montecito Series vinyl awning window offers the outstanding insulating properties, low maintenance, and contemporary aesthetic appeal only vinyl can provide. Available in standard white or tan homogenous window frames, the durable vinyl exterior will never need painting. The windows will maintain their color and shape and can be constructed to your exact size specifications, subject to engineering review. All Milgard vinyl windows are made to order at no additional charge.



Please also see:

[Awning Hardware](#)

[Premium Exterior Vinyl Finishes](#)

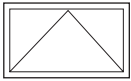
[Full Lifetime Warranty](#)

[Energy Packages](#)

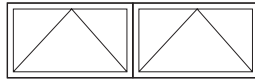
[Accessories](#)

Awning Window

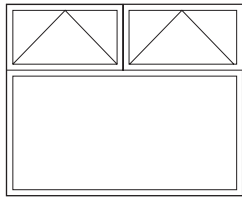
Configurations



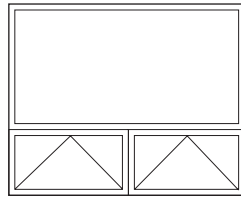
Full Awning



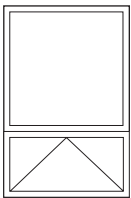
Double Awning



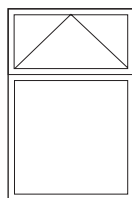
Double top Awning



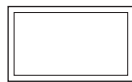
Double bottom Awning



Bottom Awning



Top Awning



Fixed Awning

Minimum/Maximum Sizes

FULL AWNING

- Min 1³1⁴ Max 4⁶3⁰

DOUBLE AWNING

- Min 3⁰1⁶ Max 9⁰3⁰

BOTTOM/TOP AWNING

- Min 1³2⁶ Max 4⁶8⁰

DOUBLE BOTTOM/TOP AWNING

- Min 3⁰2⁶ Max 8⁰6⁰

Egress not possible with awning windows

Available Frame Styles

NO NAIL-ON FIN:

8420T Block Frame

8470T 1-5/8" Narrow Z-Bar (Tuscany only)

8440T 2-1/8" Wide Z-Bar (Tuscany only)

INCLUDES NAIL-ON FIN:

8420T 1-3/8" Nail Fin Setback

8430T 1" Nail Fin Setback with Stucco Key

8440T 1-3/8" Nail Fin Setback, 2" Long Nail Fin

8440T 1-3/8" Nail Fin Setback, 2" Long Nail Fin with optional:

- 3/4" Flat J-channel
- 1" Contoured J-channel
- 2" Brickmold
- Welded Brickmold

NOTE: For engineering approval contact your Milgard representative for any configuration over 40 square feet. Each Milgard Manufacturing plant reserves the right to alter or change sizes and configurations according to location capabilities. Ask your Milgard rep about specialty applications. Windows over 40 square feet shipped open for field glazing. Varies by location.

Not all frame styles available at all Milgard locations. Contact your Milgard Representative for more information.

Drawings - Quick Links

Awning Window

- 15—1-3/8" Fin Setback
- 16—1" Fin Setback w/Stucco Key
- 17—1-3/8" Fin Setback Accessory Groove Frame, 2" Nail Fin
- 18—Welded Brickmold
- 19—1-3/8" Fin Setback Accessory Groove Frame, 2" Brickmold
- 20—1-3/8" Fin Setback Accessory Groove Frame, 1" Contour J Channel
- 21—1-3/8" Fin Setback Accessory Groove Frame, 3/4" Flat J Channel
- 22—Accessory Groove Frame, 2-1/8" Contour Z-Bar
- 23—1-5/8" Contour Z-Bar
- 24—Block Frame

Fixed Awning Window

- 25—1-3/8" Fin Setback
- 26—1" Fin Setback w/Stucco Key
- 27—1-3/8" Fin Setback Accessory Groove Frame, 2" Nail Fin
- 28—Welded Brickmold
- 29—1-3/8" Fin Setback Accessory Groove Frame, 2" Brickmold
- 30—1-3/8" Fin Setback Accessory Groove Frame, 1" Contour J Channel
- 31—1-3/8" Fin Setback Accessory Groove Frame, 3/4" Flat J Channel
- 32—Accessory Groove Frame, 2-1/8" Contour Z-Bar
- 33—1-5/8" Contour Z-Bar
- 34—Block Frame

Revit, SketchUp, .PDF and .DWG files can be accessed at milgard.com/professionals or clicking here:

[Tuscany Series Architectural Library](#)

[Montecito Series Architectural Library](#)

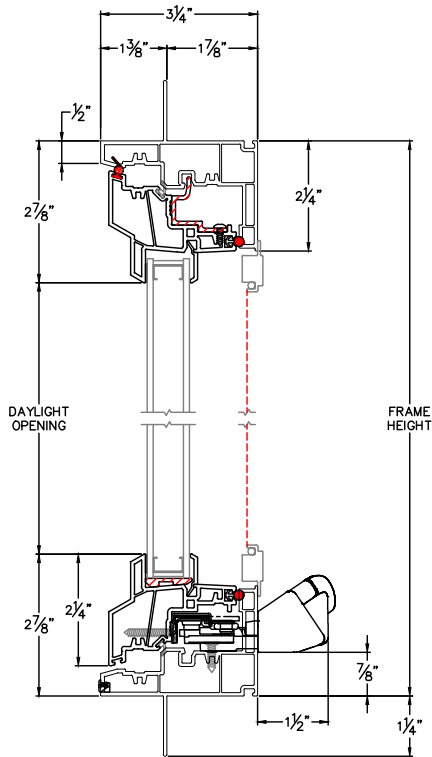
Awning Window

1-3/8" Fin Setback

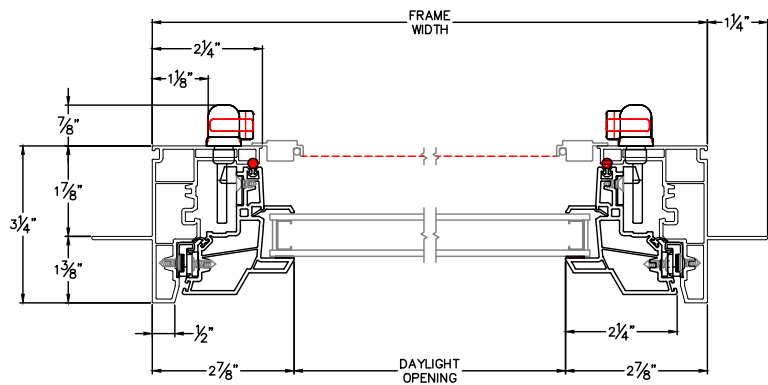
CAD File Scale	View	File Name	Units
NTS	Horizontal & Vertical	8420T-01 FA	Inch

More Technical Documents can be found at milgard.com/professionals
Due to continual research and development, details may be changed at any time. ©2013 Milgard Mfg.

AWNING SERIES 8420



HEAD & SILL



JAMBS

Revit, SketchUp, .PDF and .DWG files can be accessed
at milgard.com/professionals or clicking here:

[Tuscany Series Architectural Library](#)

[Montecito Series Architectural Library](#)

[Go back to Quick Links](#)

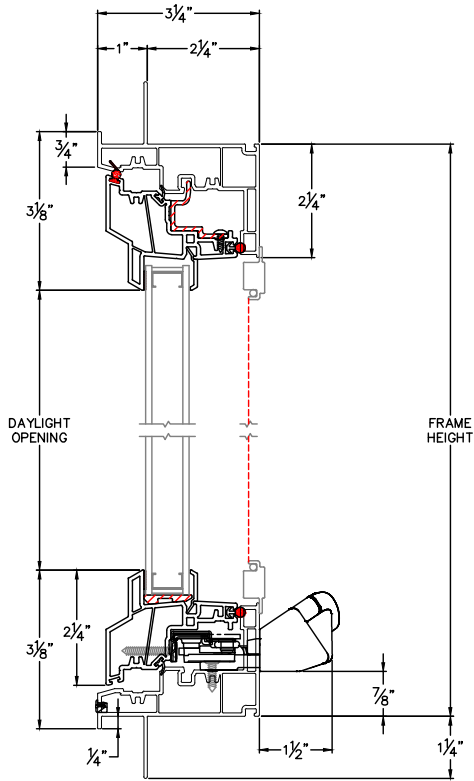
Awning Window

1" Fin Setback w/Stucco Key

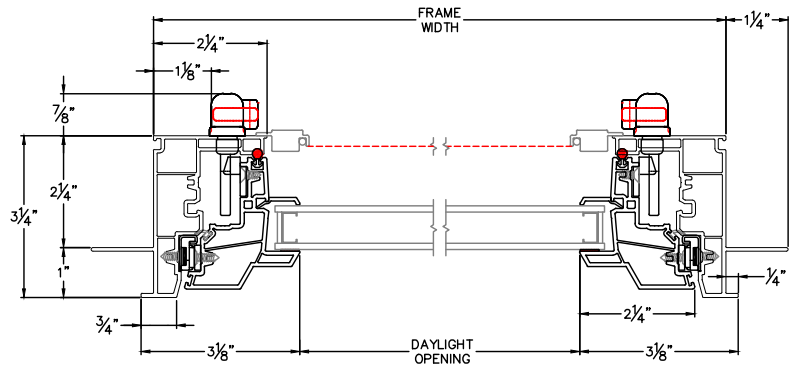
CAD File Scale	View	File Name	Units
NTS	Horizontal & Vertical	8430T-01 FA	Inch

More Technical Documents can be found at milgard.com/professionals
Due to continual research and development, details may be changed at any time. ©2013 Milgard Mfg.

AWNING SERIES 8430



HEAD & SILL



JAMBS

Revit, SketchUp, .PDF and .DWG files can be accessed at milgard.com/professionals or clicking here:

[Tuscany Series Architectural Library](#)

[Montecito Series Architectural Library](#)

[Go back to Quick Links](#)

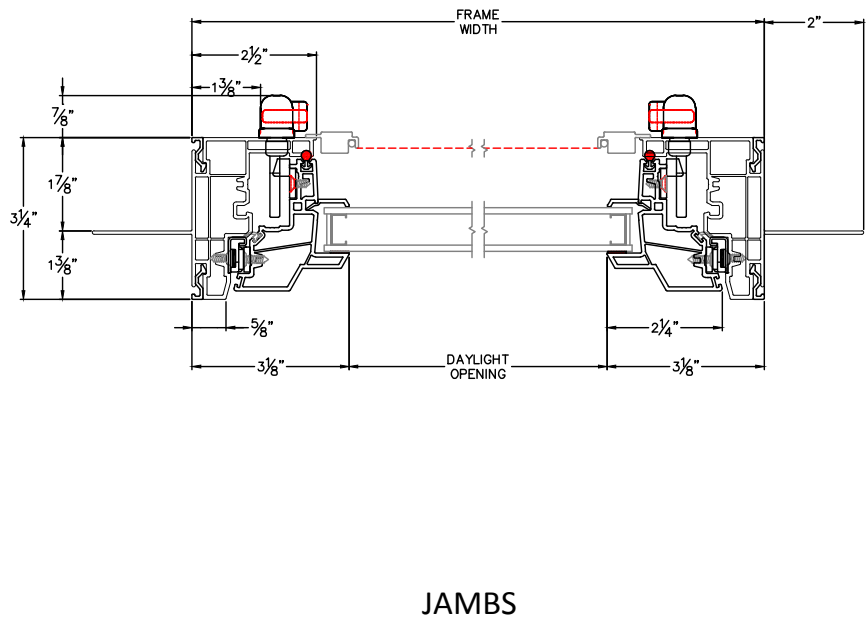
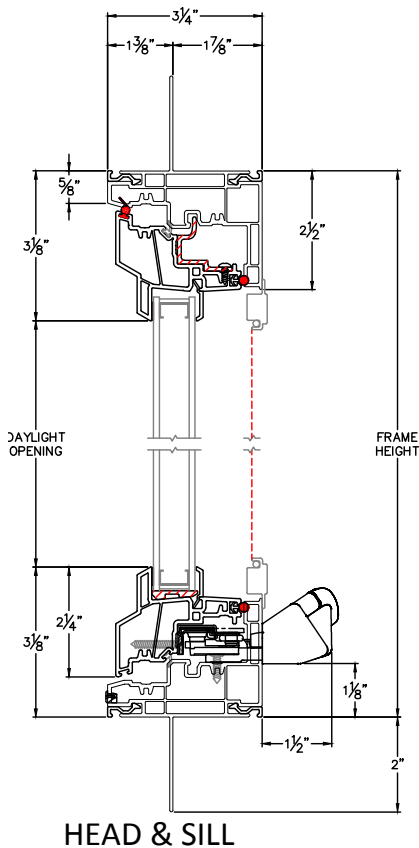
Awning Window

1-3/8" Fin Setback Accessory Groove Frame, 2" Nail Fin
(Tuscany only)

CAD File Scale	View	File Name	Units
NTS	Horizontal & Vertical	8440T-05 FA	Inch

More Technical Documents can be found at milgard.com/professionals
Due to continual research and development, details may be changed at any time. ©2013 Milgard Mfg.

AWNING SERIES 8440



Revit, SketchUp, .PDF and .DWG files can be accessed
at milgard.com/professionals or clicking here:

[Tuscany Series Architectural Library](#)
[Montecito Series Architectural Library](#)

[Go back to Quick Links](#)

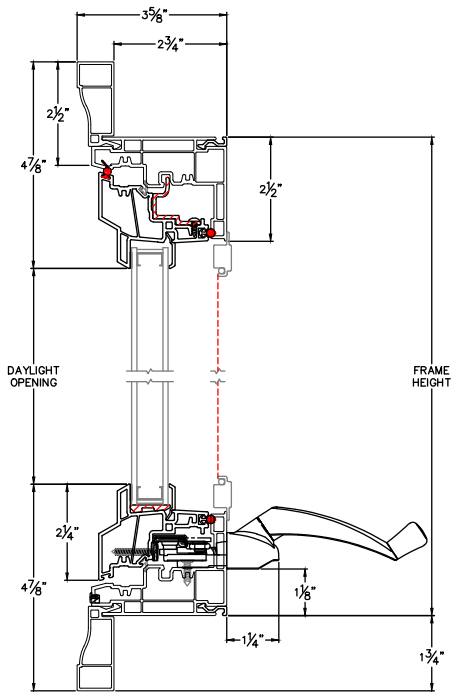
Awning Window

Welded Brickmold

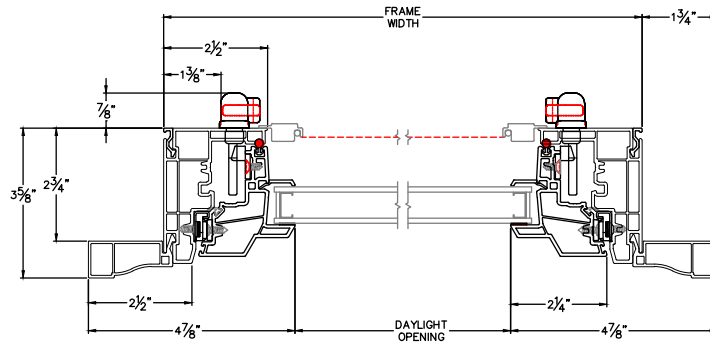
CAD File Scale	View	File Name	Units
NTS	Horizontal & Vertical	Tuscany_8440_FA_welded_brickmold	Inch

More Technical Documents can be found at milgard.com/professionals
Due to continual research and development, details may be changed at any time. ©2013 Milgard Mfg.

AWNING SERIES 8440



HEAD & SILL



JAMBS

Revit, SketchUp, .PDF and .DWG files can be accessed at milgard.com/professionals or clicking here:

[Tuscany Series Architectural Library](#)
[Montecito Series Architectural Library](#)

[Go back to Quick Links](#)

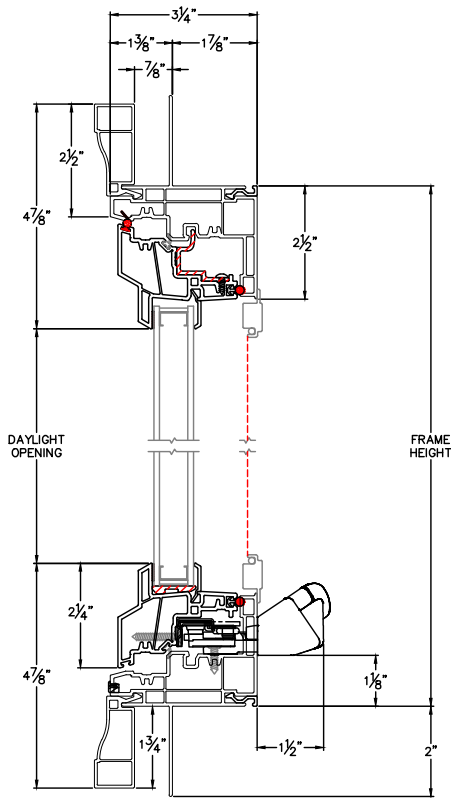
Awning Window

1-3/8" Fin Setback Accessory Groove Frame, 2" Brickmold

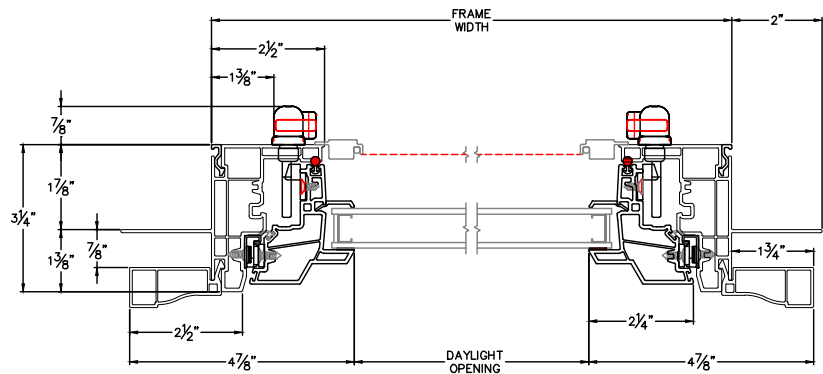
CAD File Scale	View	File Name	Units
NTS	Horizontal & Vertical	8440T-03 FA	Inch

More Technical Documents can be found at milgard.com/professionals
Due to continual research and development, details may be changed at any time. ©2013 Milgard Mfg.

AWNING SERIES 8440



HEAD & SILL



JAMBS

Revit, SketchUp, .PDF and .DWG files can be accessed at milgard.com/professionals or clicking here:

[Tuscany Series Architectural Library](#)
[Montecito Series Architectural Library](#)

[Go back to Quick Links](#)

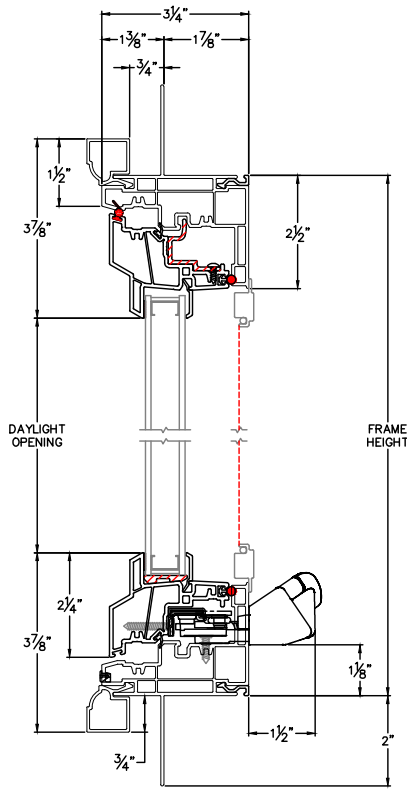
Awning Window

1-3/8" Fin Setback Accessory Groove Frame, 1" Contour J Channel

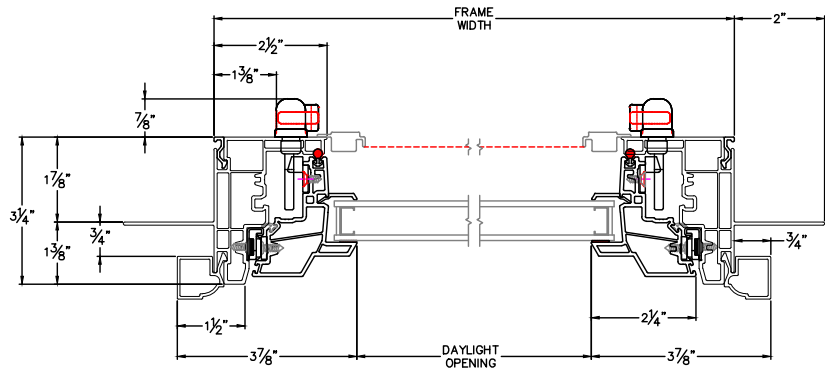
CAD File Scale	View	File Name	Units
NTS	Horizontal & Vertical	8440T-01 FA	Inch

More Technical Documents can be found at milgard.com/professionals
Due to continual research and development, details may be changed at any time. ©2013 Milgard Mfg.

AWNING SERIES 8440



HEAD & SILL



JAMBS

Revit, SketchUp, .PDF and .DWG files can be accessed at milgard.com/professionals or clicking here:

[Tuscany Series Architectural Library](#)
[Montecito Series Architectural Library](#)

[Go back to Quick Links](#)

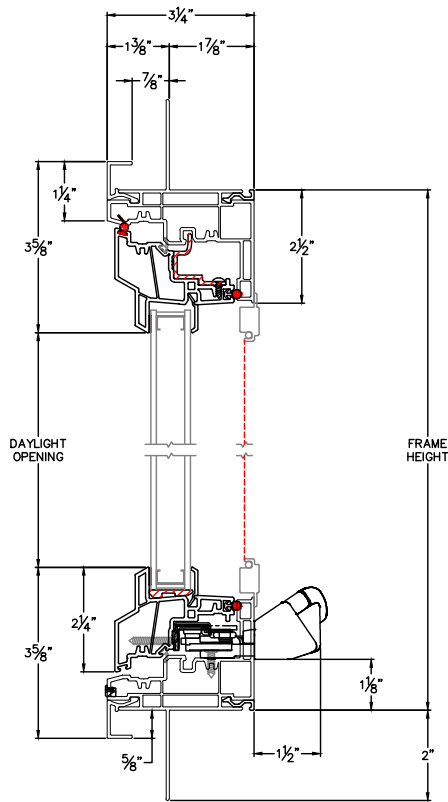
Awning Window

1-3/8" Fin Setback Accessory Groove Frame, 3/4" Flat J Channel

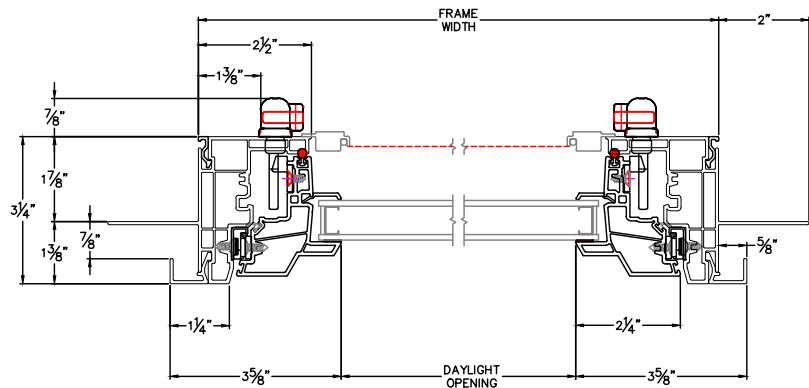
CAD File Scale	View	File Name	Units
NTS	Horizontal & Vertical	8440T-04 FA	Inch

More Technical Documents can be found at milgard.com/professionals
Due to continual research and development, details may be changed at any time. ©2013 Milgard Mfg.

AWNING SERIES 8440



HEAD & SILL



JAMBS

Revit, SketchUp, .PDF and .DWG files can be accessed at milgard.com/professionals or clicking here:

[Tuscany Series Architectural Library](#)
[Montecito Series Architectural Library](#)

[Go back to Quick Links](#)

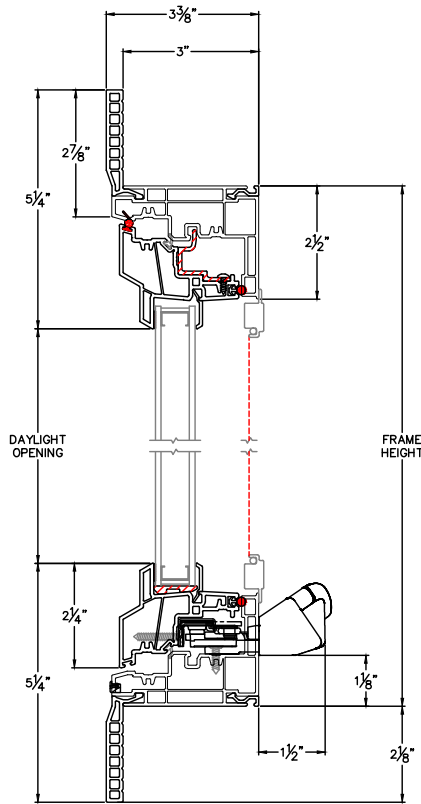
Awning Window

Accessory Groove Frame, 2-1/8" Contour Z-Bar
(Tuscany only)

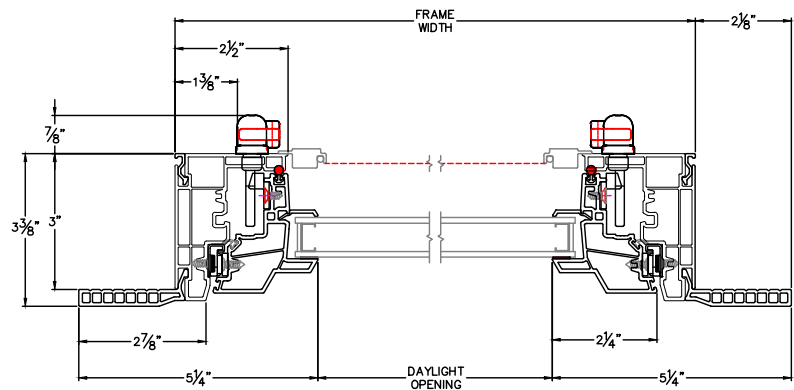
CAD File Scale	View	File Name	Units
NTS	Horizontal & Vertical	8440T-02 FA	Inch

More Technical Documents can be found at milgard.com/professionals
Due to continual research and development, details may be changed at any time. ©2013 Milgard Mfg.

AWNING SERIES 8440



HEAD & SILL



JAMBS

Revit, SketchUp, .PDF and .DWG files can be accessed
at milgard.com/professionals or clicking here:

[Tuscany Series Architectural Library](#)
[Montecito Series Architectural Library](#)

[Go back to Quick Links](#)

Awning Window

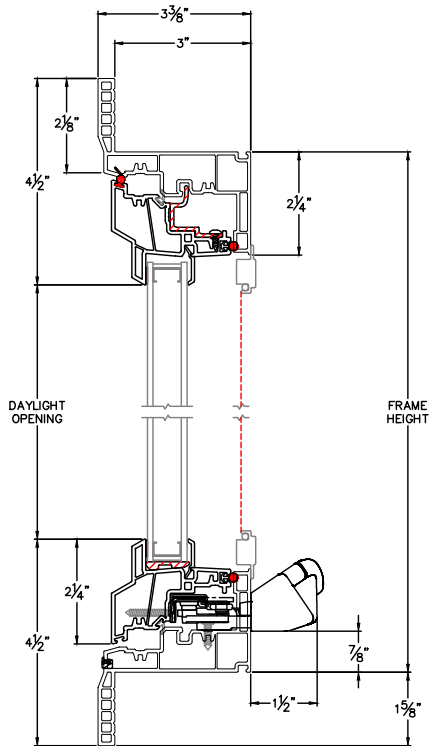
1-5/8" Contour Z-Bar

(Tuscany only)

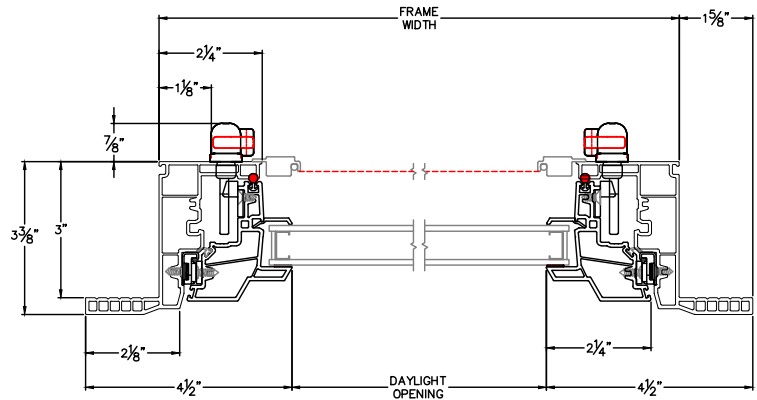
CAD File Scale	View	File Name	Units
NTS	Horizontal & Vertical	8470T-01 FA	Inch

More Technical Documents can be found at milgard.com/professionals
Due to continual research and development, details may be changed at any time. ©2013 Milgard Mfg.

AWNING SERIES 8470



HEAD & SILL



JAMBS

Revit, SketchUp, .PDF and .DWG files can be accessed at milgard.com/professionals or clicking here:

[Tuscany Series Architectural Library](#)

[Montecito Series Architectural Library](#)

[Go back to Quick Links](#)

Awning Window

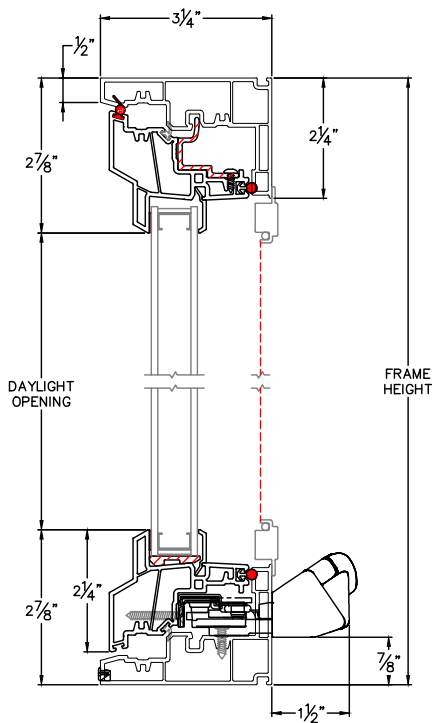
Block Frame

(Tuscany only)

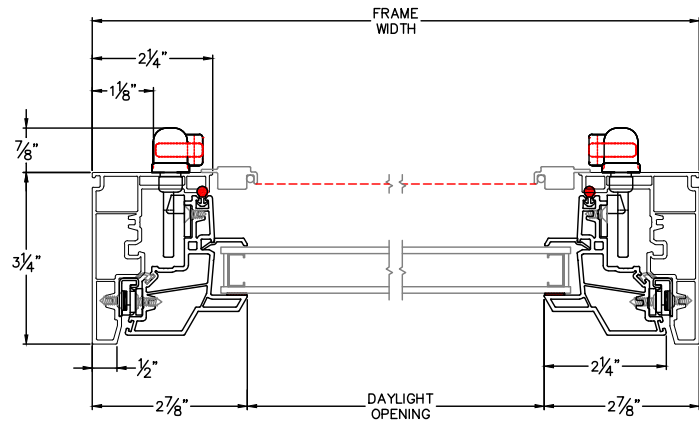
CAD File Scale	View	File Name	Units
NTS	Horizontal & Vertical	8420T-02 FA	Inch

More Technical Documents can be found at milgard.com/professionals
Due to continual research and development, details may be changed at any time. ©2013 Milgard Mfg.

AWNING SERIES 8420



HEAD & SILL



JAMBS

Revit, SketchUp, .PDF and .DWG files can be accessed at milgard.com/professionals or clicking here:

[Tuscany Series Architectural Library](#)

[Montecito Series Architectural Library](#)

[Go back to Quick Links](#)

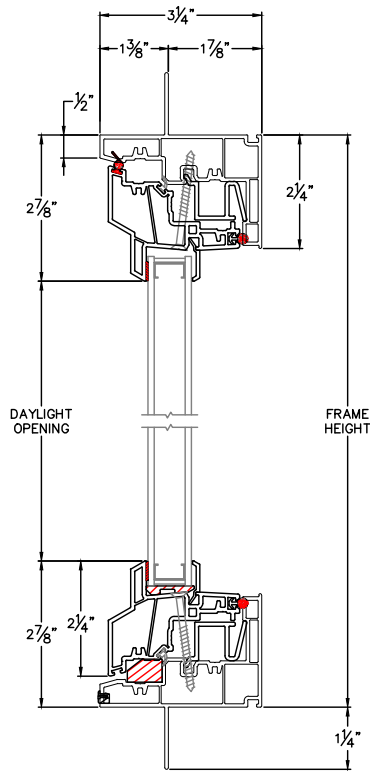
Fixed Awning Window

1-3/8" Fin Setback

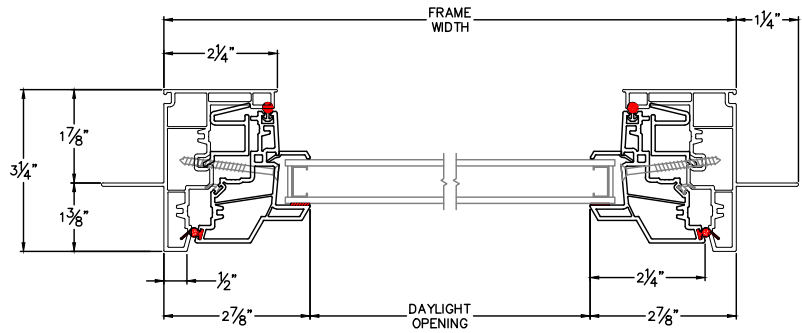
CAD File Scale	View	File Name	Units
NTS	Horizontal & Vertical	8421T-01 FA	Inch

More Technical Documents can be found at milgard.com/professionals
Due to continual research and development, details may be changed at any time. ©2013 Milgard Mfg.

AWNING SERIES 8421



HEAD & SILL



JAMBS

Revit, SketchUp, .PDF and .DWG files can be accessed at milgard.com/professionals or clicking here:

[Tuscany Series Architectural Library](#)
[Montecito Series Architectural Library](#)

[Go back to Quick Links](#)

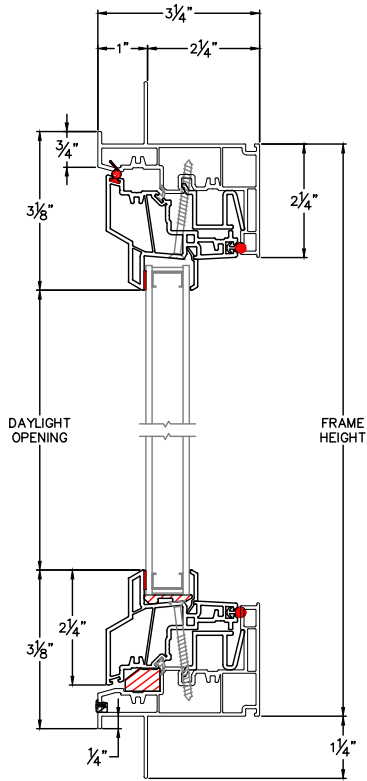
Fixed Awning Window

1" Fin Setback w/Stucco Key

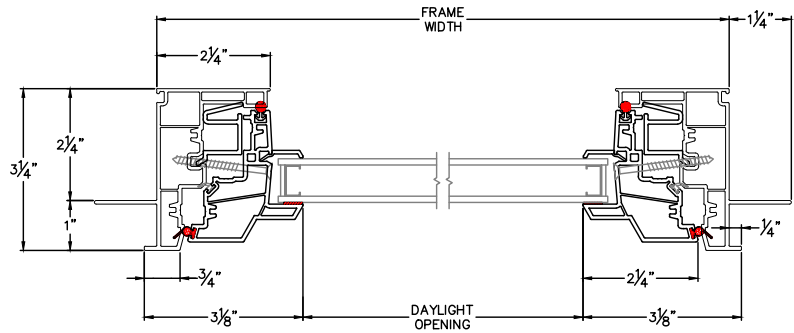
CAD File Scale	View	File Name	Units
NTS	Horizontal & Vertical	8431T-01 FA	Inch

More Technical Documents can be found at milgard.com/professionals
Due to continual research and development, details may be changed at any time. ©2013 Milgard Mfg.

AWNING SERIES 8431



HEAD & SILL



JAMBS

Revit, SketchUp, .PDF and .DWG files can be accessed at milgard.com/professionals or clicking here:

[Tuscany Series Architectural Library](#)

[Montecito Series Architectural Library](#)

[Go back to Quick Links](#)

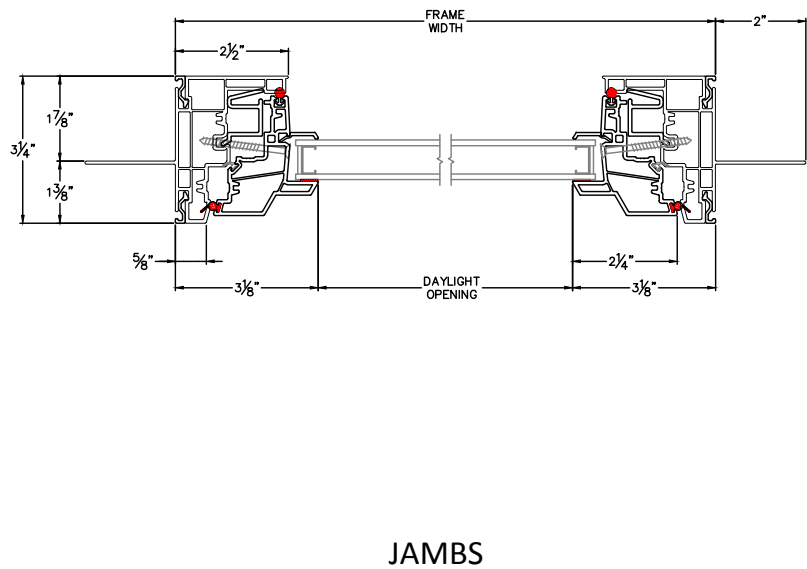
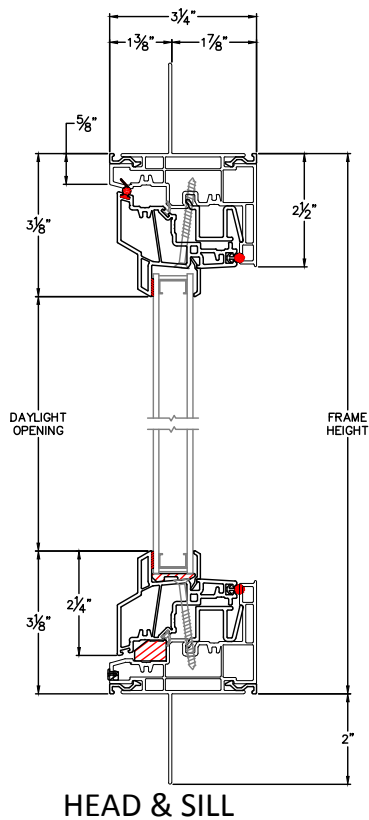
Fixed Awning Window

1-3/8" Fin Setback Accessory Groove Frame, 2" Nail Fin
(Tuscany only)

CAD File Scale	View	File Name	Units
NTS	Horizontal & Vertical	8441T-04 FA	Inch

More Technical Documents can be found at milgard.com/professionals
Due to continual research and development, details may be changed at any time. ©2013 Milgard Mfg.

AWNING SERIES 8441



Revit, SketchUp, .PDF and .DWG files can be accessed
at milgard.com/professionals or clicking here:

[Tuscany Series Architectural Library](#)
[Montecito Series Architectural Library](#)

[Go back to Quick Links](#)

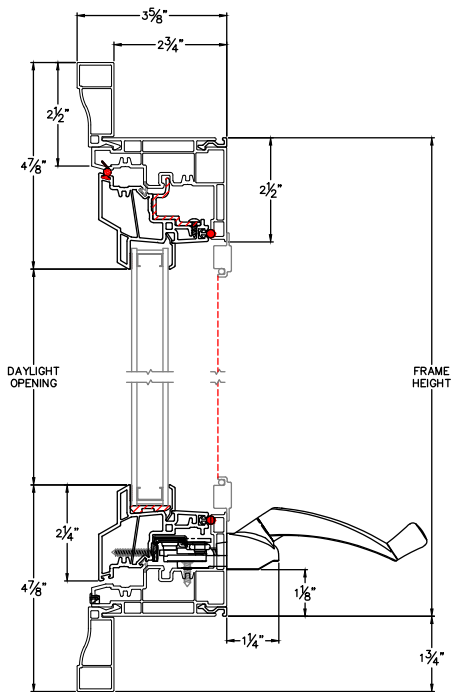
Fixed Awning Window

Welded Brickmold

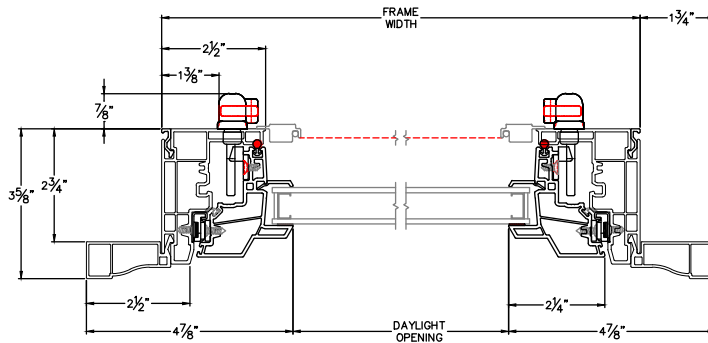
CAD File Scale	View	File Name	Units
NTS	Horizontal & Vertical	Tuscany_8440_FA_welded_brickmold	Inch

More Technical Documents can be found at milgard.com/professionals
Due to continual research and development, details may be changed at any time. ©2013 Milgard Mfg.

AWNING SERIES 8440



HEAD & SILL



JAMBS

Revit, SketchUp, .PDF and .DWG files can be accessed at milgard.com/professionals or clicking here:

[Tuscany Series Architectural Library](#)
[Montecito Series Architectural Library](#)

[Go back to Quick Links](#)

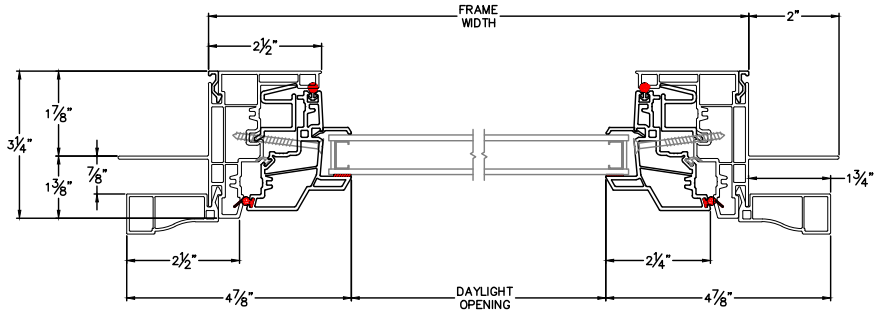
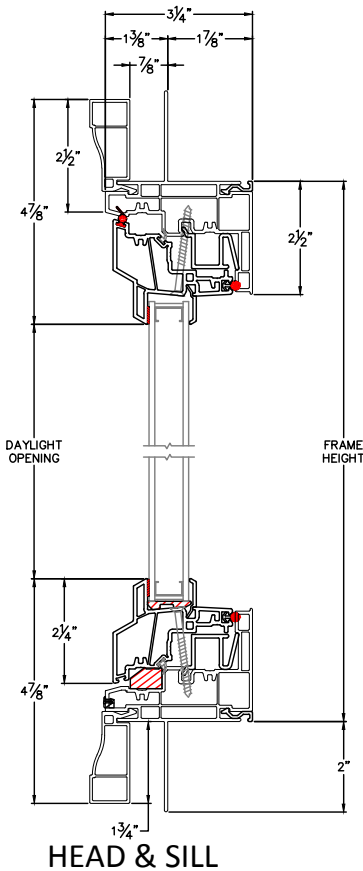
Fixed Awning Window

1-3/8" Fin Setback Accessory Groove Frame, 2" Brickmold

CAD File Scale	View	File Name	Units
NTS	Horizontal & Vertical	8441T-03 FA	Inch

More Technical Documents can be found at milgard.com/professionals
Due to continual research and development, details may be changed at any time. ©2013 Milgard Mfg.

AWNING SERIES 8441



JAMBS

Revit, SketchUp, .PDF and .DWG files can be accessed at milgard.com/professionals or clicking here:

[Tuscany Series Architectural Library](#)
[Montecito Series Architectural Library](#)

[Go back to Quick Links](#)

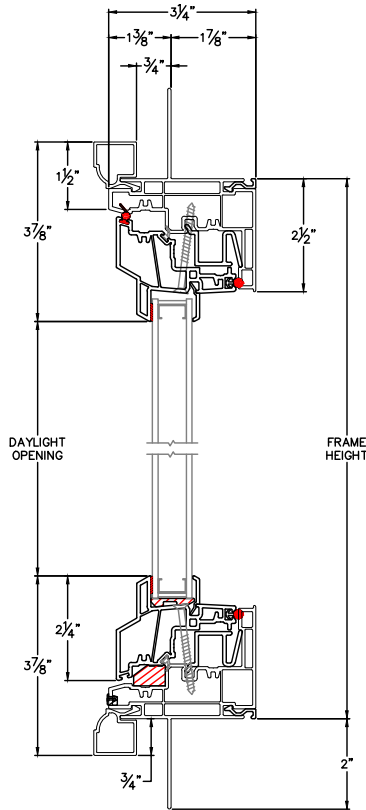
Fixed Awning Window

1-3/8" Fin Setback Accessory Groove Frame, 1" Contour J Channel

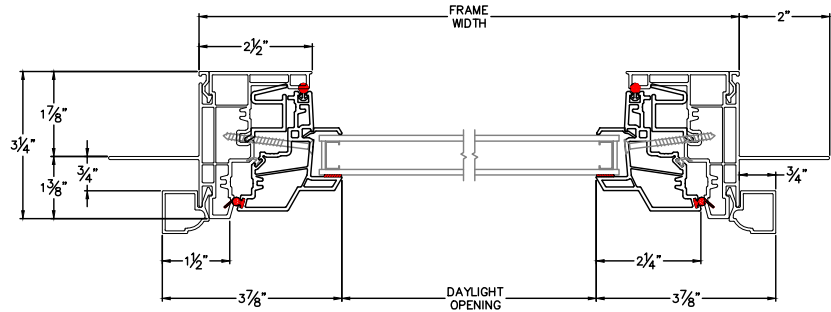
CAD File Scale	View	File Name	Units
NTS	Horizontal & Vertical	8441T-01 FA	Inch

More Technical Documents can be found at milgard.com/professionals
Due to continual research and development, details may be changed at any time. ©2013 Milgard Mfg.

AWNING SERIES 8441



HEAD & SILL



JAMBS

Revit, SketchUp, .PDF and .DWG files can be accessed at milgard.com/professionals or clicking here:

[Tuscany Series Architectural Library](#)

[Montecito Series Architectural Library](#)

[Go back to Quick Links](#)

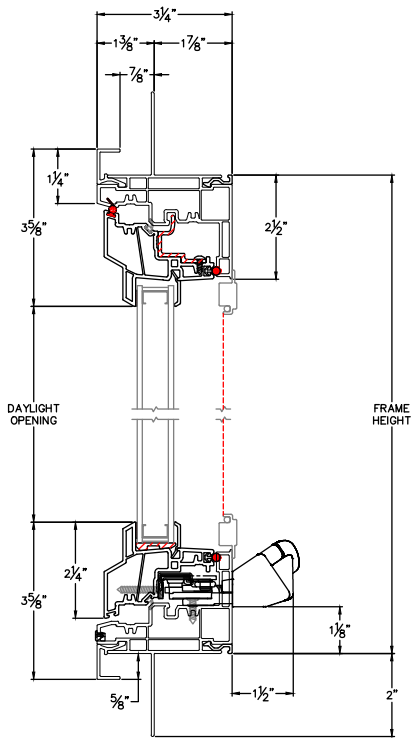
Fixed Awning Window

1-3/8" Fin Setback Accessory Groove Frame, 3/4" Flat J Channel

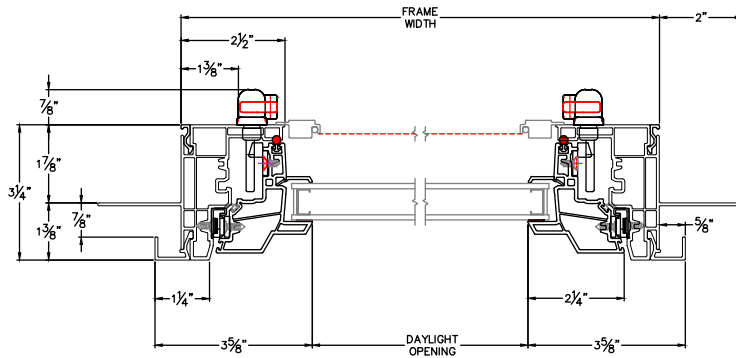
CAD File Scale	View	File Name	Units
NTS	Horizontal & Vertical	8440T-04 FA	Inch

More Technical Documents can be found at milgard.com/professionals
Due to continual research and development, details may be changed at any time. ©2013 Milgard Mfg.

AWNING SERIES 8440



HEAD & SILL



JAMBS

Revit, SketchUp, .PDF and .DWG files can be accessed at milgard.com/professionals or clicking here:

[Tuscany Series Architectural Library](#)
[Montecito Series Architectural Library](#)

[Go back to Quick Links](#)

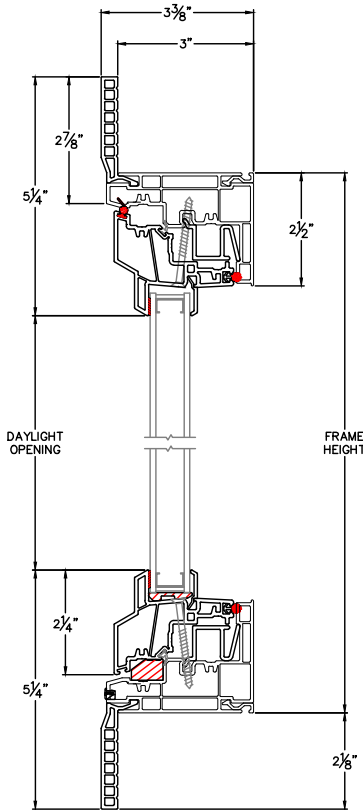
Fixed Awning Window

Accessory Groove Frame, 2-1/8" Contour Z-Bar
(Tuscany only)

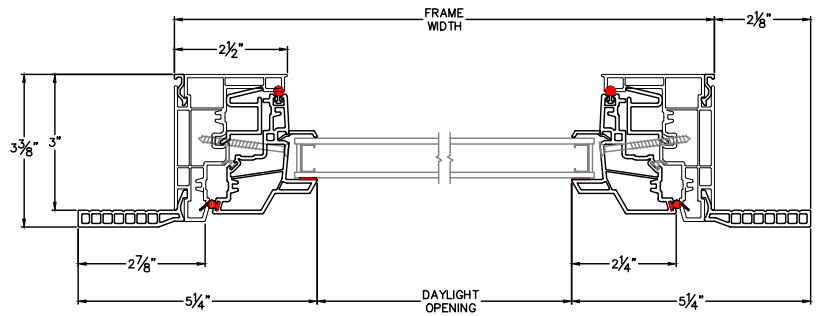
CAD File Scale	View	File Name	Units
NTS	Horizontal & Vertical	8441T-02 FA	Inch

More Technical Documents can be found at milgard.com/professionals
Due to continual research and development, details may be changed at any time. ©2013 Milgard Mfg.

AWNING SERIES 8441



HEAD & SILL



JAMBS

Revit, SketchUp, .PDF and .DWG files can be accessed at milgard.com/professionals or clicking here:

[Tuscany Series Architectural Library](#)
[Montecito Series Architectural Library](#)

[Go back to Quick Links](#)

Fixed Awning Window

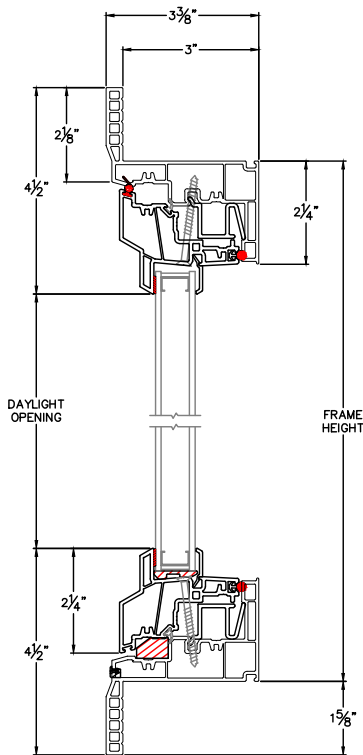
1-5/8" Contour Z-Bar

(Tuscany only)

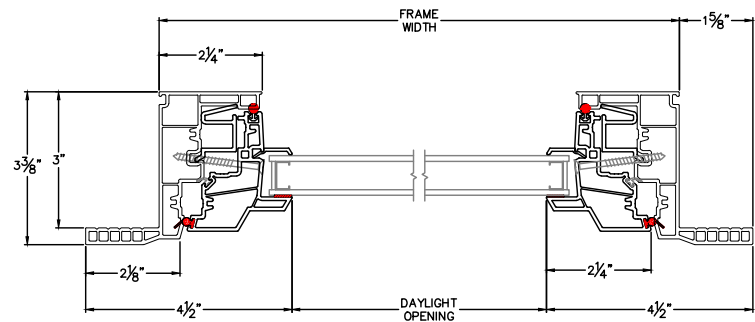
CAD File Scale	View	File Name	Units
NTS	Horizontal & Vertical	8471T-01 FA	Inch

More Technical Documents can be found at milgard.com/professionals
Due to continual research and development, details may be changed at any time. ©2013 Milgard Mfg.

AWNING SERIES 8471



HEAD & SILL



JAMBS

Revit, SketchUp, .PDF and .DWG files can be accessed
at milgard.com/professionals or clicking here:

[Tuscany Series Architectural Library](#)

[Montecito Series Architectural Library](#)

[Go back to Quick Links](#)

Fixed Awning Window

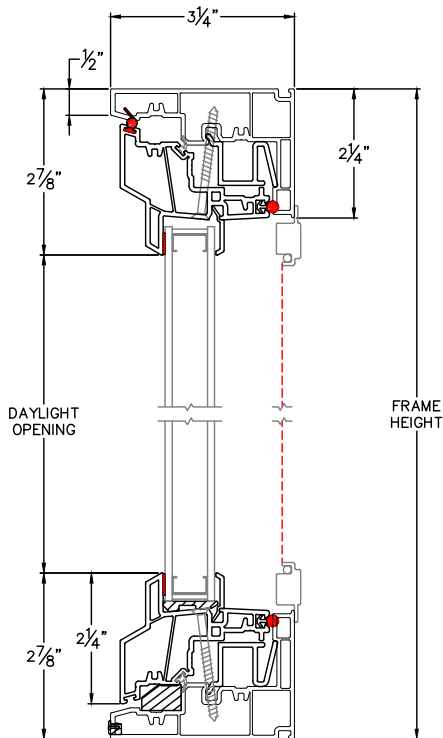
Block Frame

(Tuscany only)

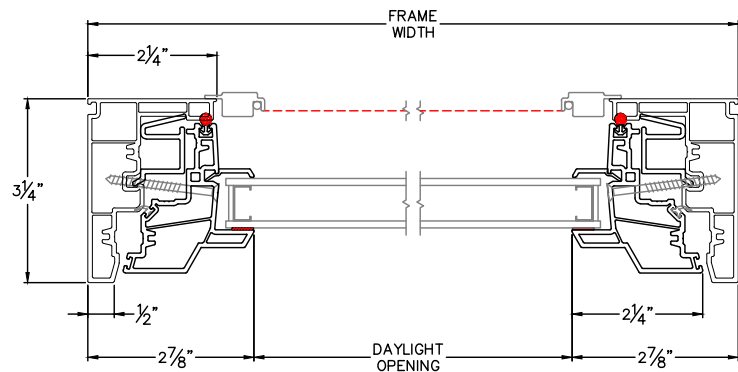
CAD File Scale	View	File Name	Units
NTS	Horizontal & Vertical	8421T-02 FA	Inch

More Technical Documents can be found at milgard.com/professionals
Due to continual research and development, details may be changed at any time. ©2013 Milgard Mfg.

AWNING SERIES 8421



HEAD & SILL



JAMBS

Revit, SketchUp, .PDF and .DWG files can be accessed at milgard.com/professionals or clicking here:

[Tuscany Series Architectural Library](#)

[Montecito Series Architectural Library](#)

[Go back to Quick Links](#)